

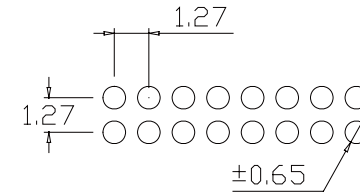
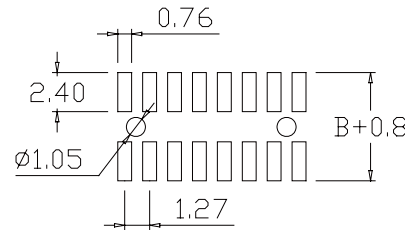
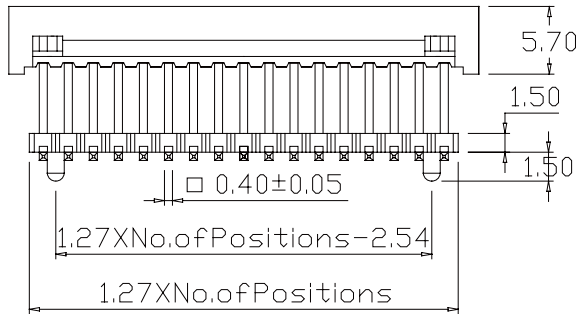
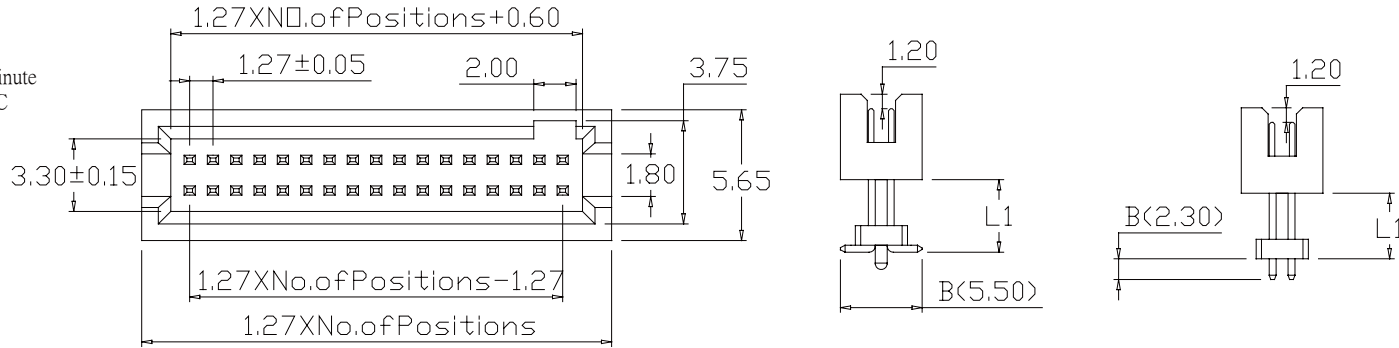
BY	CHK	REVISION RECORD MODIFICATIONS	DATE	REV.
ALLEN		RELEASE TO PRODUCTION	2007,7,31	1.0

SPECIFICATION

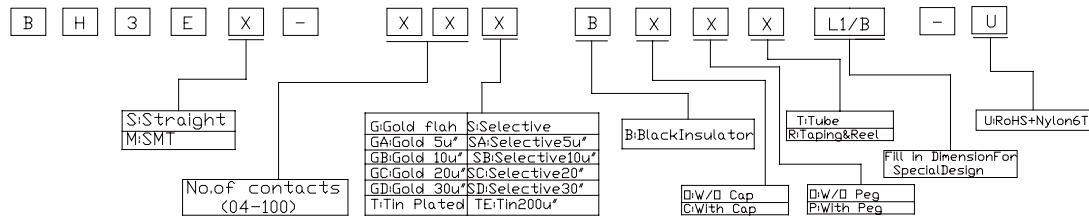
Current Rate: 1 AMP
 Insulation Resistance: 1000mΩMin
 Contact Resistance: 20mΩMax
 Dielectric voltage: 500V AC for one minute
 Operation Temperature: -40°C to +105°C

MATERIAL

Insulator: Polyester, UL94v-0
 Standard: Nylon 6T
 Contact Pin: Brass
 Finish: Tin, Gold Plated
 Standard: Gold Flash all over



Recommended PCB Layout
 (PCB TOLERANCE±0.05)



APPRO	CHECK	DRAWN	PART NO.	BH3EX-XXXBXXXL1/B-U		
			ITEM NO.			
			DRAW NO.			
			UNIT	mm	SCALE	no
			TOLER		NO.	

DESCRIPTION



Tel: 0769 22020068 Fax: 0769 22020069 E-mail: sales@vigortec.com